



**SOCMA**

**Fujian SouthChina Heavy Machinery Manufacture Co.,Ltd**

Add: Bin Hai Road ,Taiwanese Investment Area, Quanzhou, Fujian, China

TEL: +86-592-5650603

E-mail: [overseas@socmachinery.com](mailto:overseas@socmachinery.com)

Web.: [www.socmachinery.com](http://www.socmachinery.com)

The grid contains the following elements:

- Top row: A large green square with a white telehandler silhouette; a white square with a red excavator silhouette; a red square with the text 'SOCMA POWER'; a large purple square with a white excavator silhouette.
- Second row: A large green square with a white telehandler silhouette; a large red square with the text 'SOCMA'; a blue square with a white forklift silhouette; a brown square with a white forklift silhouette.
- Third row: A red square with a white forklift silhouette; a blue square with a white wheel loader silhouette; a large purple square with a white telehandler silhouette; a large black square with a white forklift silhouette.
- Fourth row: A blue square with the Socma lion logo and a green leaf icon, with the text 'SOCMA POWER'; a large purple square with a white telehandler silhouette; a black square with the Socma lion logo; a blue square with a white forklift silhouette.
- Fifth row: A large purple square with the text 'Easy-Operation', 'Economical', 'Powerful', and 'Safety'; a blue square with a white telehandler silhouette; a black square with the text 'SOCMA POWER'; a large green square with a white telehandler silhouette.

**SOCMA POWER LIFT YOUR BUSINESS**

## SMALL TONNAGE FORKLIFT

### A HNF20/G&HNF25/G

Rated capacity	2000kg&2500kg	Power unit	Diesel/Gasoline
Load center	500mm	Lifting height	3000mm-6000mm
Engine	Diesel-Chinese Xinchai C490BPG/Japanese ISUZU C240/Japanese Mitsubishi S4S/Kohler KDI1903TCR/Kubota V2403-CR-TE5 Gasoline-Japanese Nissan K21/PSI engine		



### B HNF30/G&HNF35/G

Rated capacity	3000kg&3500kg	Power unit	Diesel/Gasoline
Load center	500mm	Lifting height	3000mm-6000mm
Engine	Diesel-Chinese Xinchai C490BPG/Chinese Xinchai A495BPG/Japanese ISUZU C240/Japanese Mitsubishi S4S/Kohler KDI1903TCR/Kubota V2403-CR-TE5 Gasoline-Japanese Nissan K25/PSI engine		

### C HNF40/G

Rated capacity	4000kg
Load center	500mm
Power unit	Diesel/Gasoline
Lifting height	3000mm-6000mm

Engine	Diesel-Chinese Xinchai A498BPG/Japanese ISUZU 4JG2/Japanese Mitsubishi S4S/Kohler KDI1903TCR/Kubota V2403-CR-TE5 Gasoline-Japanese Nissan K25/PSI engine
--------	--



### D HNF45/G&HNF50TC/G

Rated capacity	4500kg&5000kg
Load center	600mm
Power unit	Diesel/Gasoline
Lifting height	3000mm-6000mm

Engine	Diesel-Chinese Xinchai 4D35ZG31/Japanese Mitsubishi S6S Gasoline-PSI engine
--------	---



## SMALL TONNAGE FORKLIFT

### HNF50/G&HNF60/G&HNF70/G&HNF80/G&HNF100/G

Rated capacity	5000kg&6000kg&7000kg&8000kg&10000kg
Load center	600mm
Power unit	Diesel/Gasoline
Lifting height	3000mm-6000mm

Engine	Diesel-Chinese Chaochai 6102/Japanese ISUZU 6BG1 /Japanese Mitsubishi S6S/Cummins 4BTA3.9-C110/Cummins QSF3.8 115 Gasoline-PSI engine
--------	---



## HEAVY DUTY FORKLIFT

### A HNF-120S

Rated capacity	10000kg/11000kg
Load center	600mm
Power unit	Diesel
Lifting height	3000mm-8000mm

Engine	Chinese Yuchai engine YC6J125Z-T20/Chinese Yuchai engine YC4A125-T300/Cummins engine 6BT5.9-C130/Cummins engine QSB4.5-C130/Cummins engine QSB4.5-C160
--------	--



### B HNF-120/130/135/150S/160S

Rated capacity	12000kg/13000kg/13500kg/15000kg/16000kg
Load center	600mm
Power unit	Diesel
Lifting height	3000mm-8000mm

Engine	Chinese Yuchai engine YC6J150-T301/Weichai engine WP6G140E330/Cummins engine 6BT5.9-C130/Cummins engine QSB4.5-C130/Cummins engine QSB4.5-C160
--------	--



## HEAVY DUTY FORKLIFT



▶ HNF-130



▶ HNF-135



▶ HNF-150S



▶ HNF-160S

### C HNF-150/160/180

Rated capacity	15000kg/16000kg/18000kg
Load center	900mm
Power unit	Diesel
Lifting height	3000mm-8000mm

Engine	Yuchai engine YC6A175Z-T20/YC6J175-T302/Weichai engine WP6G175/Cummins engine 6BTAA5.9-C190/Cummins engine QSB6.7-C190
--------	--



▶ HNF-150



▶ HNF-160



▶ HNF-180N

## HEAVY DUTY FORKLIFT

### D HNF-200E/250N

Rated capacity	20000kg/25000KG	Power unit	Diesel
Load center	1250mm	Lifting height	3000mm-8000mm
Engine	Weichai engine WD10G220/Weichai engine WP10G220E343/Cummins engine QSL9.3-C220		



▶ HNF-200E



▶ HNF-250N

### E HNF-280/300/320/350/360

Rated capacity	28000kg/30000kg/32000kg/35000kg/36000kg
Load center	1250mm
Power unit	Diesel
Lifting height	3000mm-8000mm

Engine	Weichai engine WD10G240E21/Weichai engine WP10G240E341/Cummins engine QSL9.3-C240
--------	---



▶ HNF-280



▶ HNF-300



▶ HNF-320



▶ HNF-350



▶ HNF-360



## HEAVY DUTY FORKLIFT

### HNF-400/450/500

Rated capacity	40000kg/45000kg/45000kg
Load center	1200mm
Power unit	Diesel
Lifting height	3000mm-9200mm

Engine Weichai engine WP12G340/Cummins engine QSM11



## SIDE LOADER FORKLIFT

### HNS-30/40

Rated capacity	3000kg/4000kg	Power unit	Diesel
Load center	600mm	Lifting height	3000mm-6000mm

Engine Chinese Xinchai 495BPG/Japanese ISUZU 4JG2



## SIDE LOADER FORKLIFT

### HNS-50/60

Rated capacity	5000kg/6000kg	Power unit	Diesel
Load center	600mm	Lifting height	3000mm-6000mm

Engine Chinese Weichai engine R4105G22/Japanese ISUZU 6BG1



### HNS-80/100

Rated capacity	8000kg/10000kg
Load center	600mm
Power unit	Diesel
Lifting height	3000mm-6000mm

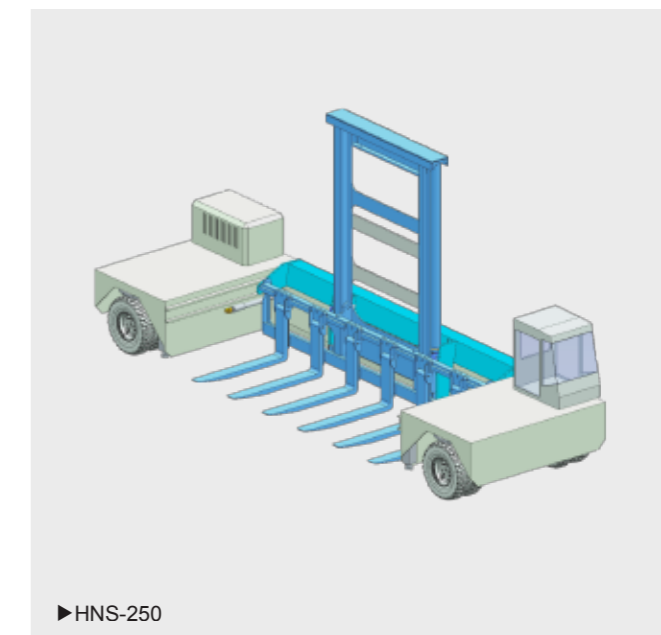
Engine Chinese Chaochai engine 6102/Japanese ISUZU 6BG1



### HNS-250

Rated capacity	25000kg
Load center	1200mm
Power unit	Diesel
Lifting height	3000mm-6000mm

Engine Volvo TAD871VE





**A HNT-M25/30**

Rated capacity	2500kg/3000kg	Power unit	Diesel
Load center	500mm Two stage boom	Lifting height	4000mm
Engine	Xinchai engine 4D27G31/Yanmar engine 4TNE98/Japanese Isuzu engine C240 or 4JG2		



**B HNT25-4/30-4/35-4/40-4/35-4H/40-4H**

Rated capacity	2500kg/3000kg/3500kg/4000kg	Power unit	Diesel
Load center	500mm Two stage boom&Three stage boom	Lifting height	7000mm/8800mm
Engine	Cummins engine 4BTA3.9-C80/Cummins engine QSB3.9-C80		



**C HNT50-2/50H&HNT-110**

Rated capacity	5000kg/11000kg	Power unit	Diesel
Load center	500mm Three stage boom	Lifting height	7300mm/8800mm/10300mm
Engine	Cummins engine 4BTA3.9-C100/Cummins engine QSB3.9-C100		



**D HNTR4015**

Rated capacity	4000kg
Load center	500mm Three stage boom,360 degree Rotary
Power unit	Diesel
Lifting height	15000mm
Engine	Cummins engine QSB3.9-C125



**E HNT4015/4017/7017**

Rated capacity	4000kg/7000kg
Load center	500mm Four stage boom
Power unit	Diesel
Lifting height	15000mm/17000mm

Engine	Cummins engine QSB4.5-C160
--------	----------------------------



## TELEHANDLER

### HNTC160/180

Rated capacity	16000kg/18000KG
Load center	1200mm Two stage boom
Power unit	Diesel
Lifting height	6000mm

Engine	Cummins engine QSB6.7-C190
--------	----------------------------



### HNT250/HNT320

Rated capacity	25000kg/32000KG
Load center	1200mm Three stage boom/Two stage boom
Power unit	Diesel
Lifting height	11400mm/6000mm

Engine	Cummins engine QSC8.3-C220/QSC8.3-C260
--------	--



## ELECTRIC CONSTRUCTION MACHINERY

### Electric wheel loader

#### HNL-18EL/30EL

Rated capacity	1800kg/3000kg	Bucket Capacity	1m <sup>3</sup> /1.8m <sup>3</sup>
Battery	Lithium Battery, LiFePO	Battery Rated storage capacity	09.3kW.h/200kW.h
Battery Capacity/Voltage	202Ah/541V		



## ELECTRIC CONSTRUCTION MACHINERY

### HNL-50EL

Rated capacity	5000kg
Battery	Lithium Battery, LiFePO
Bucket Capacity	1.7-4m <sup>3</sup>
Battery Rated storage capacity	141/282kW.h

Battery Capacity/Voltage	228/456Ah, 480-700V
--------------------------	---------------------



### Electric wheel excavator

#### HNE80W-EL/90W-EL

Rated capacity	8000kg/9000kg	Bucket Capacity	0.1-0.28m <sup>3</sup>
Battery	Lithium Battery, LiFePO	Battery Rated storage capacity	140kW.h
Battery Capacity/Voltage	202Ah/541V		



#### HNE100W-EL/120W-EL/150W-EL

Rated capacity	10000kg/12000kg/15000kg
Battery	Lithium Battery, LiFePO
Bucket Capacity	0.1-0.28m <sup>3</sup>
Battery Rated storage capacity	141/282kW.h

Battery Capacity/Voltage	228/456Ah
--------------------------	-----------



## ELECTRIC CONSTRUCTION MACHINERY

### Extended Range Electric Wheel Excavator

HNE135W-EE/150-EE

Rated capacity	13500kg/15000kg
Battery	Lithium Battery, LiFePO
Bucket Capacity	0.45-0.6m <sup>3</sup>

Engine	Yuchai engine Rated power - 37.5kW Emission standard - Stage IV
--------	---



► HNE120W-EE  
HNE150W-EE

### Grid Power Excavator

HNE80C-ELE/150C-ELE/220C-ELE/250C-ELE/360C-ELE

Rated capacity	8000kg/15000kg/22000kg/25000kg/36000kg
Grid power supply	



► HNE80C-EL



► HNE150C-EL

## ELECTRIC FORKLIFT

### Electric small tonnage forklift

FB15/18/20/25/30/35/40/50

Rated capacity	1500kg/1800kg/2000kg/2500kg/3000kg/3500kg/4000kg/5000kg		
Load center	500mm	Battery type	Lead-acid battery/lithium battery AC controller



► FB15 & FB18



► FB20



► FB25



► FB30



► FB35 & FB40 & FB50

### Electric Heavy Duty forklift

HNF100-EL/120-EL/135-EL/160-EL/180-EL/200-EL/250-EL/320-EL

Rated capacity	10000kg/12000kg/13500kg/16000kg/ 18000kg/20000kg/25000kg/32000kg
Battery	Lithium Battery, LiFePO
Battery Rated storage capacity	141kW.h 175kW.h 240kW.h 282kW.h



► HNF100-EL & HNF120-EL



## ELECTRIC FORKLIFT

▶HNF135EL



▶HNF160-EL & HNF180-EL



▶HNF200-EL  
HNF250-EL



▶HNF320-EL



## Other Equipments

### A Crane forklift

HNFC120-450/160-1000/200-1200/250-1600/300-1800/400-2000

Rated capacity 2000kg@45t.m/16000kg@100t.m/20000kg@120t.m/25000kg@160t.m/30000kg@180t.m/40000kg@200t.m

Power unit Diesel Engine Yuchai engine/Weichai engine/Cummins engine



### B) Furnace-tending vehicle&Furnace charging Vehicle

Furnace-tending vehicle

general type  
crawler type  
rotary type

Model

HNBZ8512

▶HNBZ8512



## Other Equipments

Furnace Charging Vehicle

Model

HNT-1505  
HNT-1807

Engine

DF Cummins  
QSB4.5-C130/QSB6.7-C190



▶HNBZ8512

### C 45ton Reach stacker/8ton empty container handler/9ton empty container handler

#### 45ton reach stacker

Model	HNRS450
Engine	CUMMINS QSM11
Transmission	ZF/5WG261 AUTO
Drive axle	Kessler D102PL341
Steering axle	Kessler L102

For stacking 5 high 9'6" containers,  
6 high 8'6" containers

▶HNRS450



#### 8ton empty container handler

Model	SECH80/6&SECH80/7
Engine	Cummins QSB6.7
Transmission	ZF/3WG211
Drive axle	Kessler D81PL478-NLB

For stacking 5 high 9'6" containers,6 high 8'6" containers & stacking 6 high 9'6" containers,  
7 high 8'6" containers

▶SECH80/6 & SECH80/7



#### 9ton empty container handler

Model	SECH90/7&SECH90/8
Engine	Cummins QSB6.7
Transmission	ZF/3WG211
Drive axle	Kessler D81PL488-NLB

For stacking 6 high 9'6" containers,7 high 8'6" containers & stacking 7 high 9'6" containers,8 high 8'6" containers

